

A

A

B

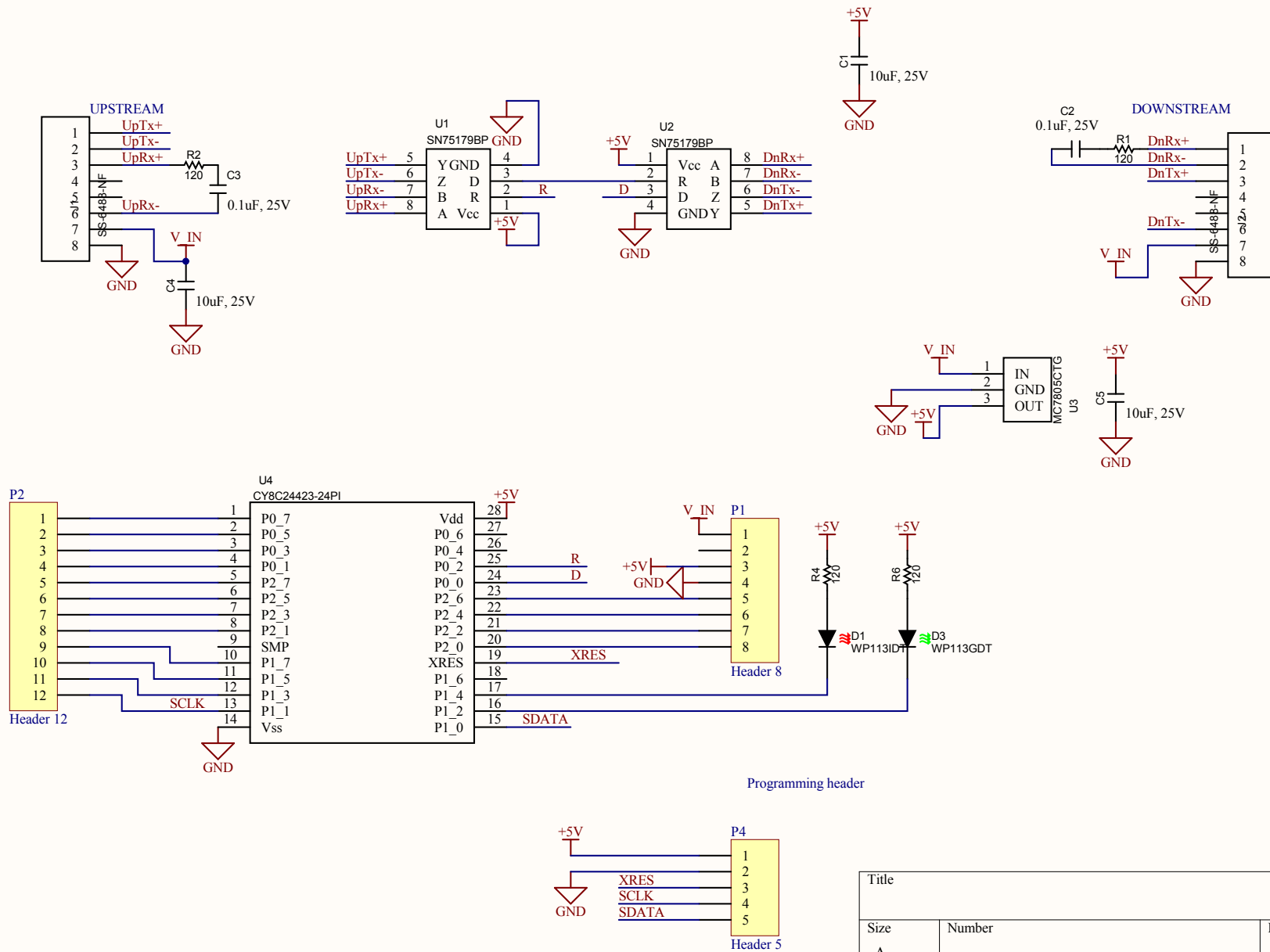
B

C

C

D

D



Title		
Size	Number	Revision
A		
Date:	5/14/2012	Sheet of
File:	C:\Users\...\BaseNode.SchDoc	Drawn By: